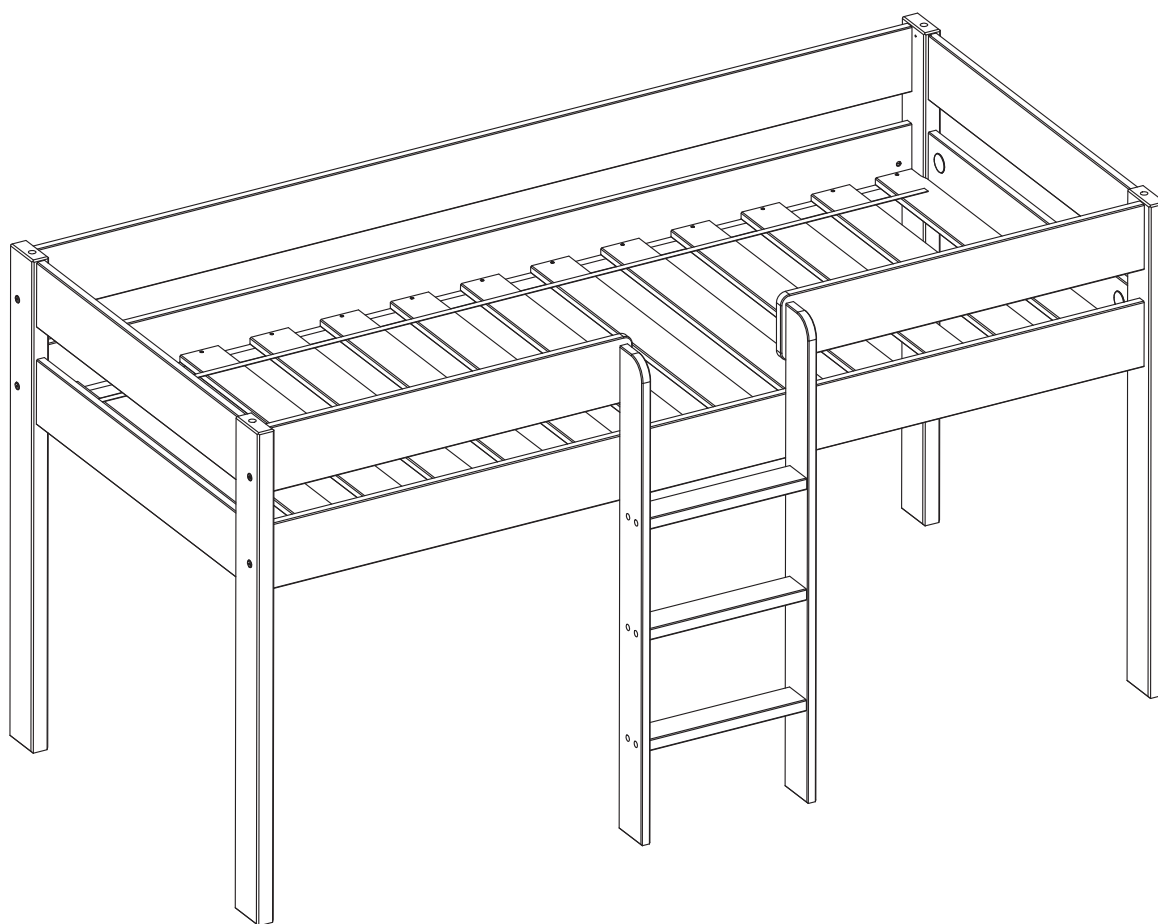


# Stompa® - Midsleeper

Assembly Instructions - Please keep for future reference

T1091-02



## Dimensions

Width - 208,2 cm

Depth - 105 cm

Height - 109 cm

**Important** – Please read these instructions fully before starting assembly

If you need help or have damaged or missing parts, call the Customer Helpline: **0844 8008475**




# Instructions for use

## IMPORTANT, READ CAREFULLY - RETAIN FOR FUTURE REFERENCE

**WARNING:** High beds and the upper bed of bunk beds are not suitable for children under six years due to the risk of injury from falls

- Do not use the bed if any structural part is broken or missing.
- Warning! Children can become trapped between the bed and the wall.
- To avoid risk of serious injury the distance between the top safety barrel and the wall shall not exceed 75 mm or shall be more than 230mm.
- Be aware that children can strangle in items such as ropes, strings, cords, harnesses and belts attached to or hung on a bunk bed/high bed.
- **Mattress:** This bed is designed to use a mattress size 200 cm long and 90 cm wide. The total thickness must not exceed 15,25 cm. The label on the ladder side indicates maximum height of mattress to be used in this bed.
- The bunk bed meets the European EN 747+A1:2015 standards for security and durability.
- The bunk bed meets the Bunk Beds (Entrapment Hazards) (Safety) Regulations 1987

## Before Starting Assembly

- Check you have all the components and tools listed on page 3 and 4.
  - Remove all fittings from the plastic bags and separate them into their groups.
  - Keep children and animals away from the work area, small parts could choke if swallowed.
  - Make sure you have enough space to lay out the parts before starting.
  - Assemble the item as close to its final position (in the same room) as possible.
  - Assemble on a soft level surface to avoid damaging the unit or your floor.
- 
- We do not recommend the use of power drills/drivers for inserting screws, as this could damage the unit. Only use hand screwdrivers.
  - Dispose of all packaging carefully and responsibly.

## Care and maintenance

- Only clean using a damp cloth and mild detergent, do not use bleach or abrasive cleaners.
  - Regularly check that there are no loose screws on this unit and tighten when necessary.
- Parts of your product are produced from solid pine which is a natural product containing a beautiful wooden structure. Direct sunlight can speed up the natural process of the resin contained in the pine knots to change colour around knots. This is a normal process happening to natural wood and cannot be seen as a manufacturer's fault. All wood has been dried to industry standards for furniture timber and all procedures for obtaining the best lacquering finish have been followed.
- Our furniture will endure most temperatures in the home but it is best to avoid placing furniture next to heat sources as radiators or fire. Be particularly careful with solid wood as the lack of humidity caused by central heating can cause damage such as warping.

## Glue safety - Take care when using glue, please follow the advice below

**Skin contact:** Remove contamination by washing with soap and water. This procedure should also be followed prior to eating and drinking.

**Eye contact:** Rinse immediately with clean water for 15 minutes and seek medical advice.

**If swallowed:** Seek medical advice immediately.

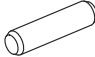

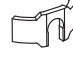










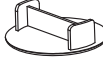


## Safety when using your bed

Do not allow children to climb over the safety rails. Always use the ladder when climbing in and out of bed. Never attempt to hang bags, bunting or other items with strings or handles on the bed.

# Components - Fittings

Please check you have all the fittings listed below

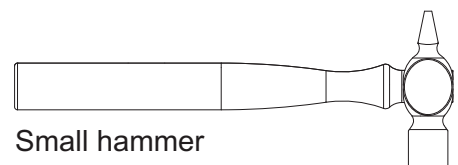
**Note:** The quantities below are the correct amount to complete the assembly. In some cases more fittings may be supplied than are required.

<p><b>A</b>  Wooden dowel 10x40 x 36</p>	<p><b>B</b>  60mm Screw x 4</p>	<p><b>C</b>  Sector D35 x 4</p>
<p><b>D</b>  M6x75 Bolt x 4</p>	<p><b>E</b>  M6x10x13 Cross dowel x 4</p>	<p><b>F</b>  6,3x70mm Screw x 4</p>
<p><b>G</b>  50mm Screw x 12</p>	<p><b>H</b>  55mm Screw x 6</p>	<p><b>M</b>  3,5x40 Screw x 26</p>
<p><b>P</b>  D4x13 Cover Cap x 12</p>	<p><b>S</b>  D7x13 Cover Cap x 8</p>	<p><b>T</b>  D15x18 Cover Cap x 4</p>
<p><b>U</b>  D15 Cover Cap x 8</p>	<p><b>V</b>  D35 Cover Cap x4</p>	<p> 4mm Allen key x 1</p>
<p></p>		

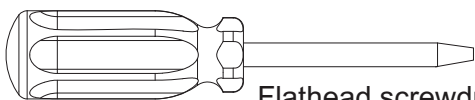
## Tools required



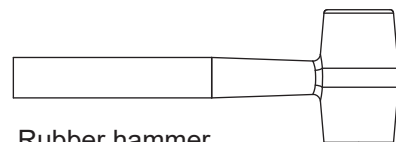
Philips screwdriver (medium)



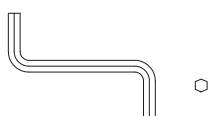
Small hammer



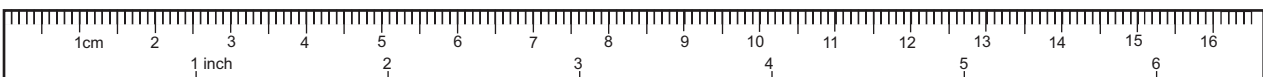
Flathead screwdriver (medium)



Rubber hammer



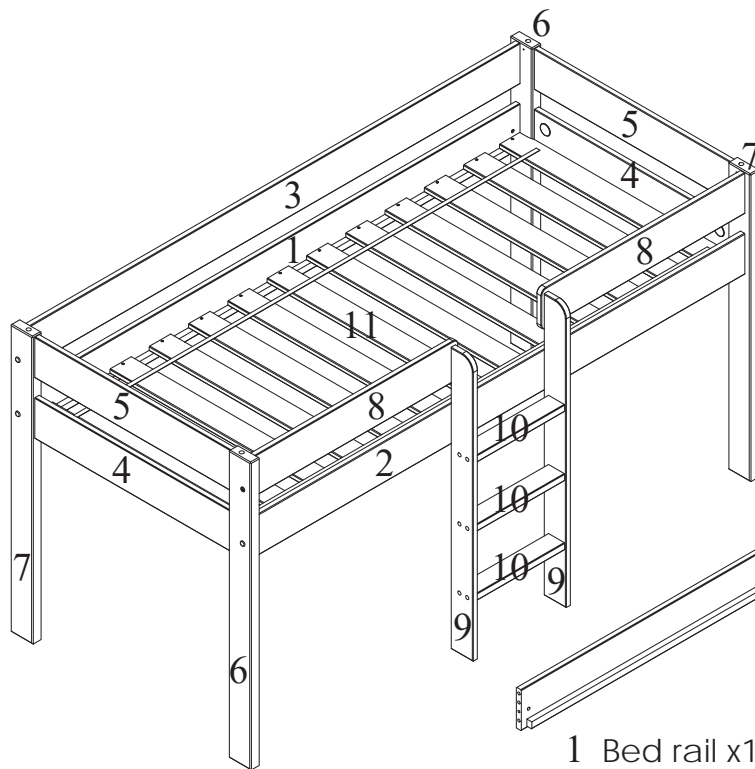
Allen key (incl)



Rulers - Use this ruler to help correctly identify the screws

# Components - Panels

Please check you have all the panels listed below



optional top step subject to age and development of child

## Components

1 Bed rail x1  
(200,6x14,5x2 cm)

2 Bed rail x1  
(200,6x14,5x2 cm)

3 Rear safety rail x1  
(200,6x14,5x2 cm)

5 End rail x2  
(80,2x14,5x2 cm)

4 End rail x2  
(80,2x14,5x2 cm)

6 Leg x2  
(109x9x3,8 cm)

7 Leg x2  
(109x9x3,8 cm)

10 Step x3  
(36x6,8x2,5 cm)

8 Front safety rail x2  
(83,3x14,5x2 cm)

9 Ladder side x2  
(106,8x9x2 cm)

11 Slats x1

# Assembly Instructions

## Step 1

In this step use this fitting:

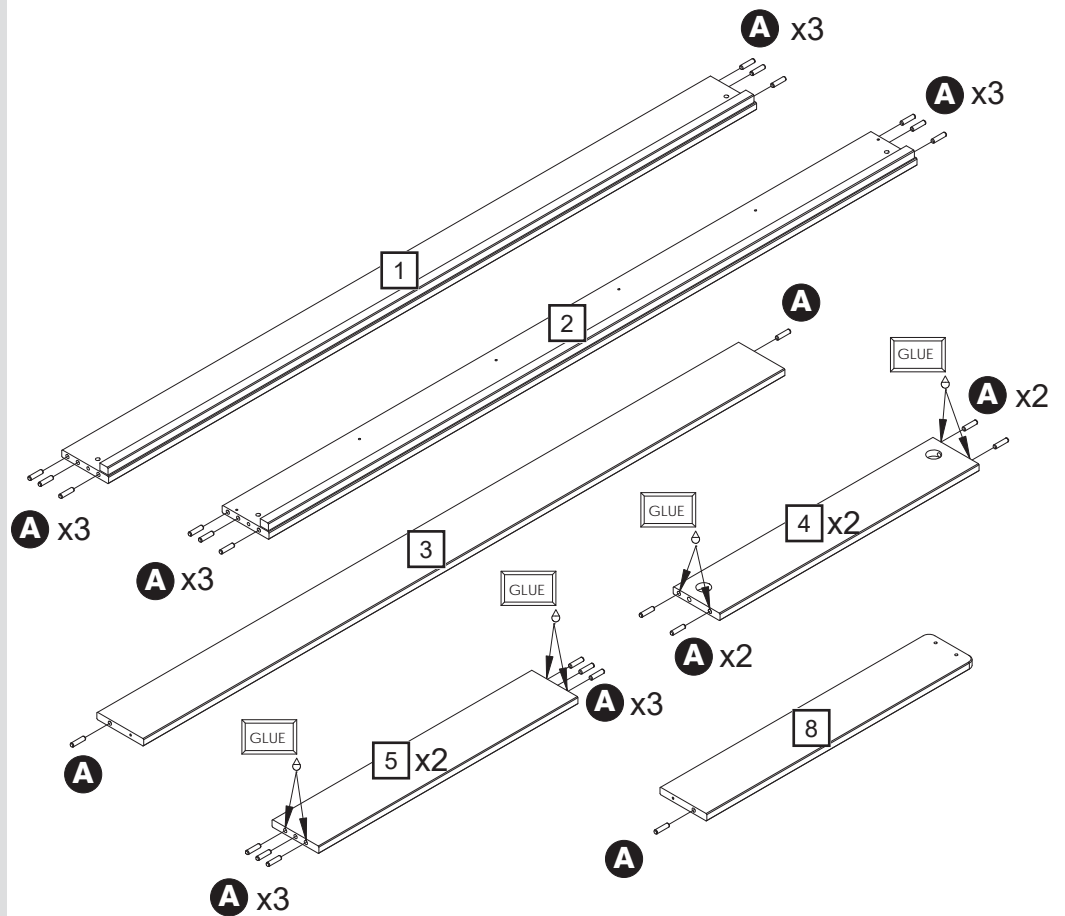
**A** x36

Insert dowels **A** into the holes in bed rails 1, 2 and safety rails 3 and 8.

Place a little glue in each hole for dowels in the end rails 4 and 5. Insert dowel and tap gently with a small hammer.

Remove spilled glue with a damp cloth.

Note: It may be necessary to tap dowel in very gently with small hammer

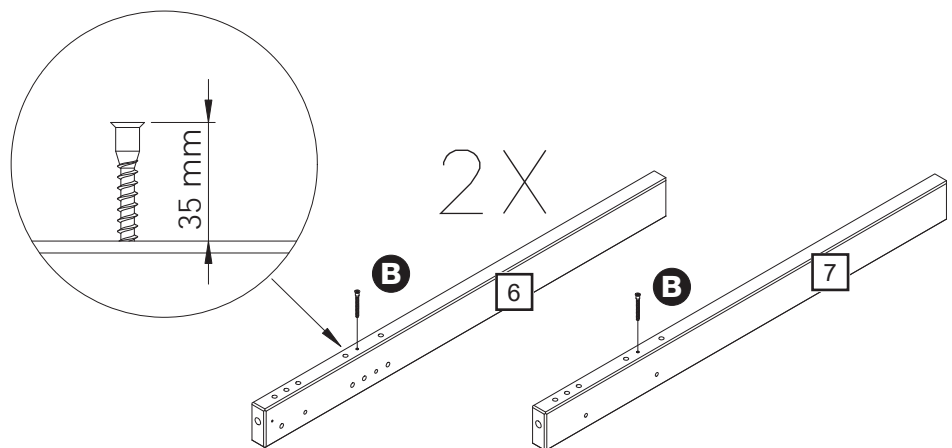


## Step 2

In this step use this fitting:

**B** x4

Insert connecting screws **B** into holes of legs using 4mm Allen key.



# Assembly Instructions

## Step 3

In this step use this fitting:

**C** x4

**V** x4

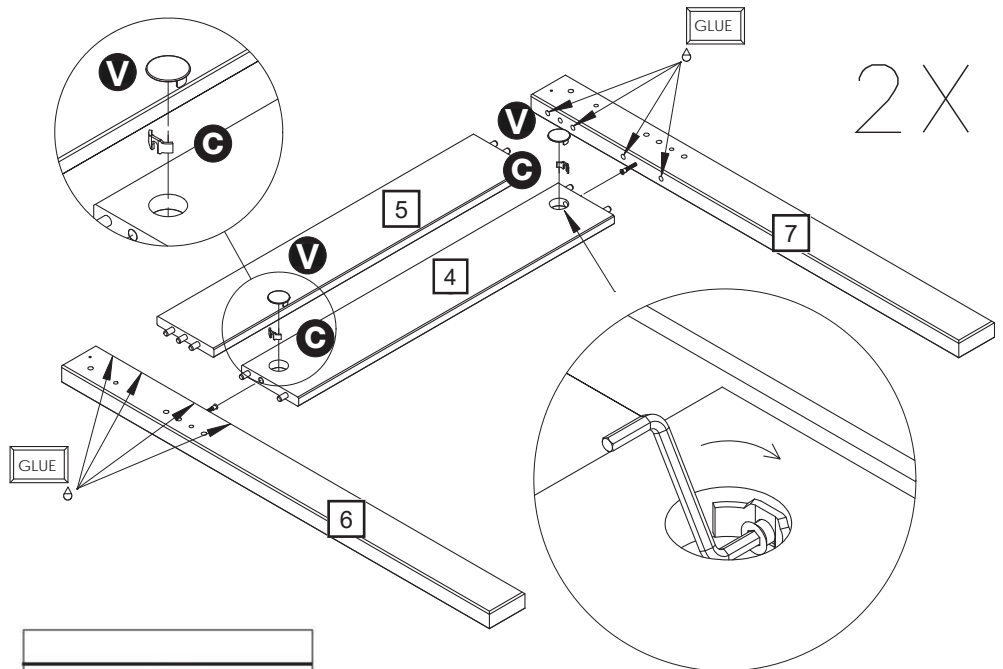
Place a little glue in holes in legs as shown in the picture.

Remove spilled glue with a damp cloth.

Position legs. Insert sectors **C** into 35mm holes as shown in the picture.

Tighten screws with 4mm Allen key.

Cover 35mm holes with cover caps **V**



## Step 4

In this step use this fitting:

**G** x8

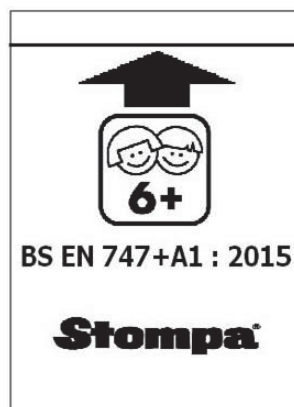
**P** x8

**S** x8

Assemble ladder sides and steps as shown in the picture.

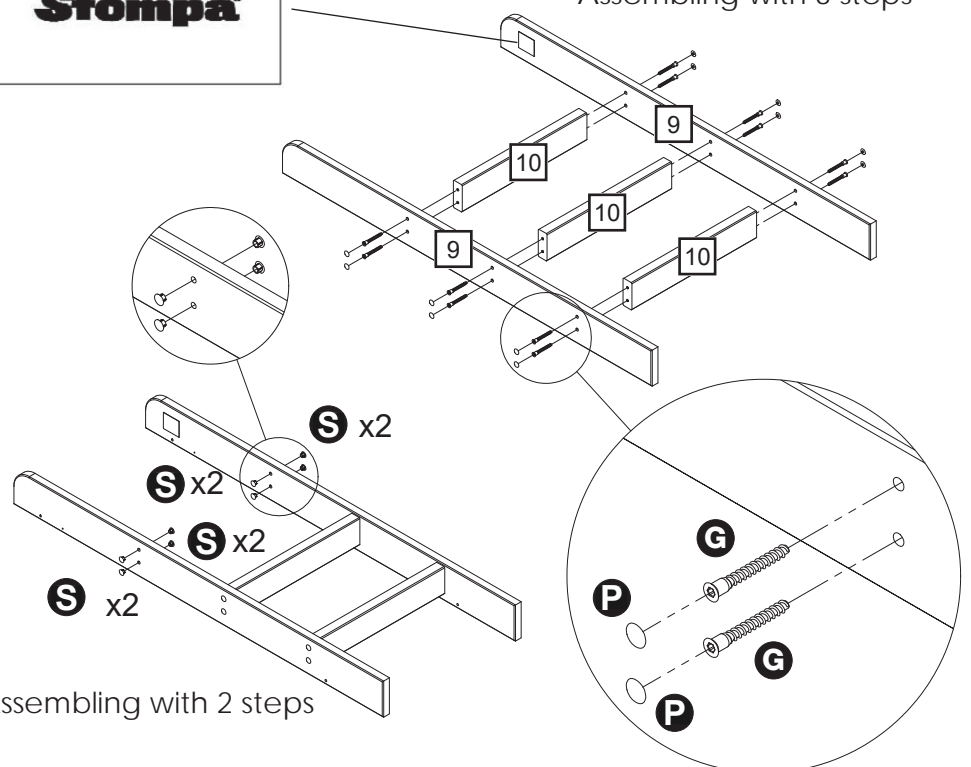
Use connecting screws **G** and Allen key.

Cover the heads of screws using cover cap **P**.



Note:  
Always placed  
inside the ladder

Assembling with 3 steps



# Assembly Instructions

## Step 5

In this step use this fitting:

**D** x4

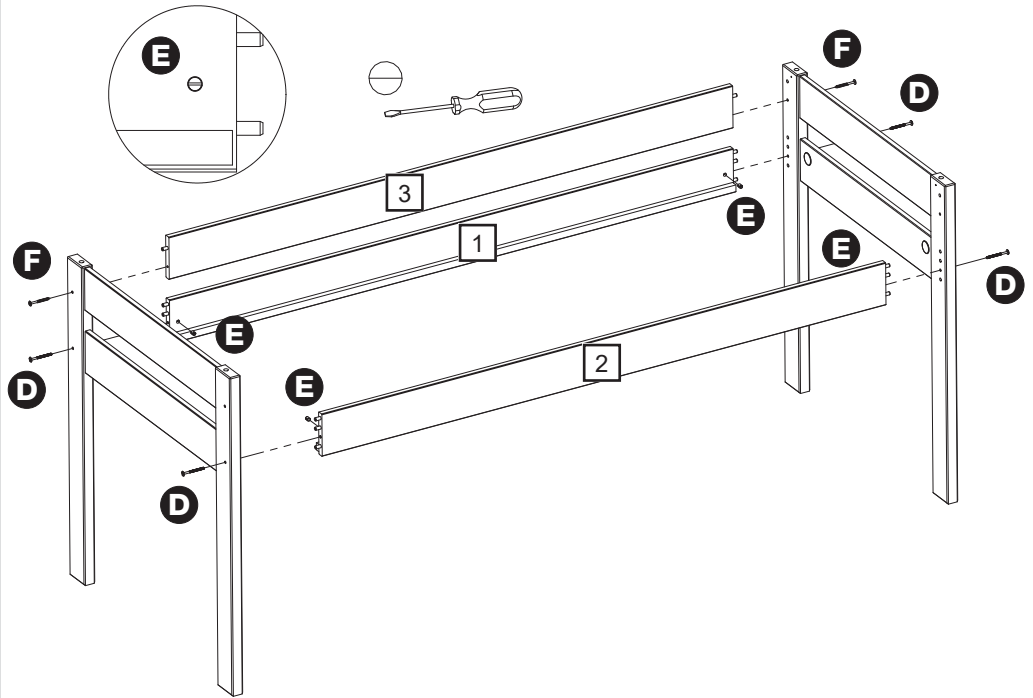
**E** x4

**F** x2

Push Cross dowel **E** into hole in bed rails 1 and 2. The groove on Cross dowel should be horizontal.

Push Bolt **D** through each leg to meet Cross dowel and then fasten with the Allen key.

Attach the safety rail 3 to the leg with the screws **F**



## Step 6

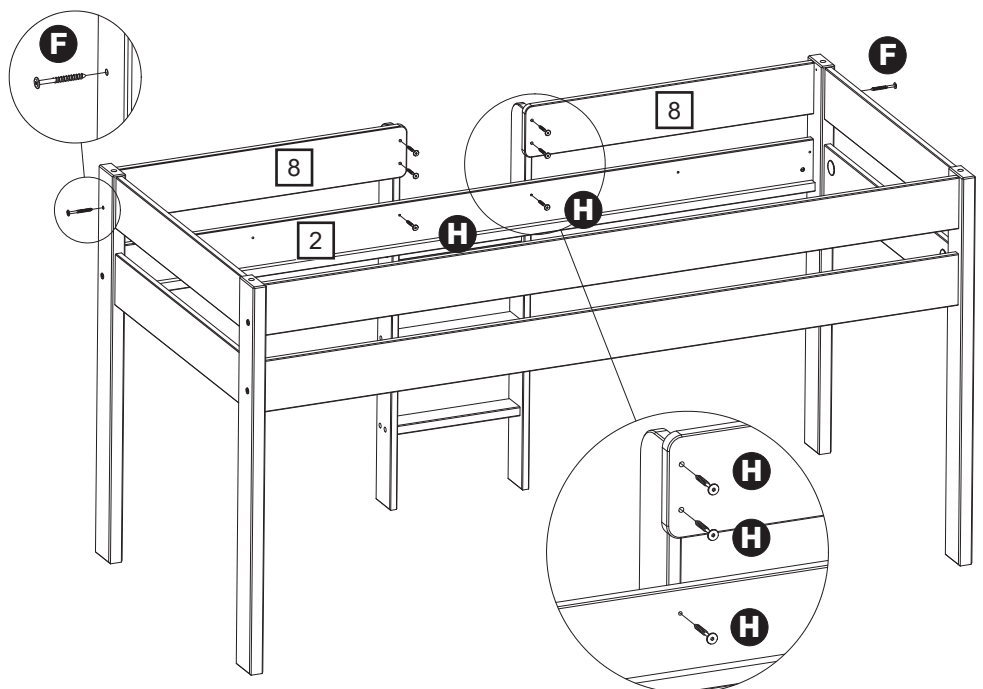
In this step use this fitting:

**F** x2

**H** x6

Attach safety rail through the leg with screw **F**

Attach ladder to the bed rail screws **H**



# Assembly Instructions

## Step 7

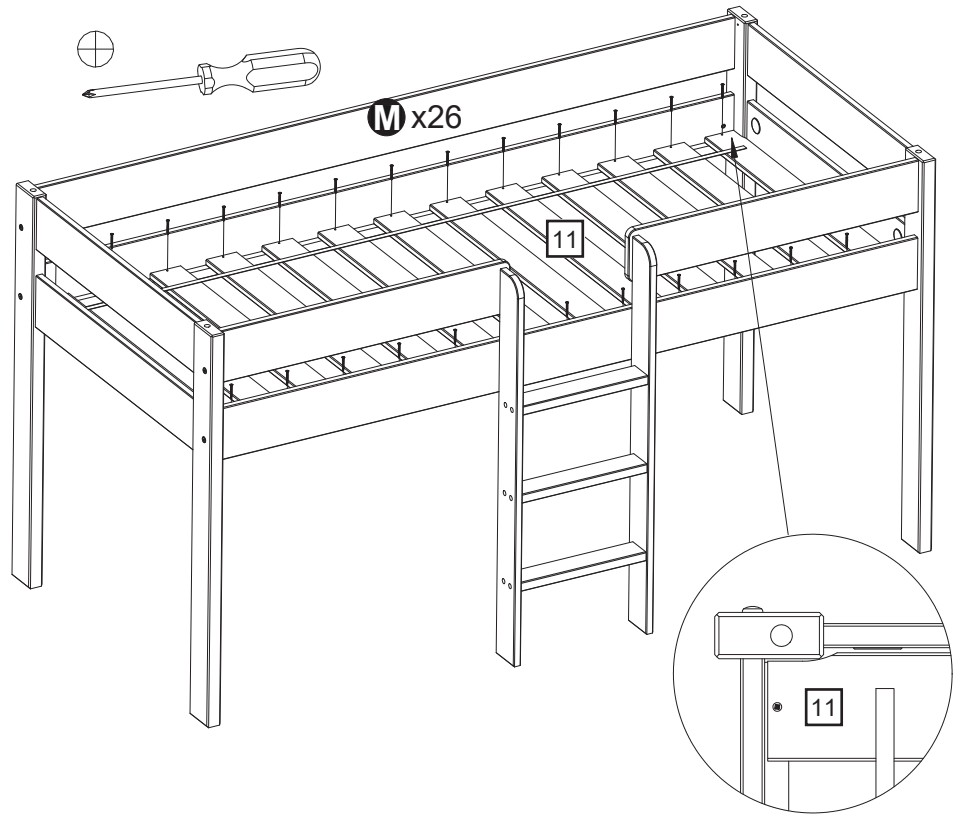
In this step use this fitting:

**M** x26

Position slats equally.  
End slats must be in contact with legs.

Place two screws **M** in each slat and tighten using a Phillips screwdriver.

Should the bed need to be taken apart for storing or transporting the slats do not need to be disassembled from the bed rails.



## Step 8

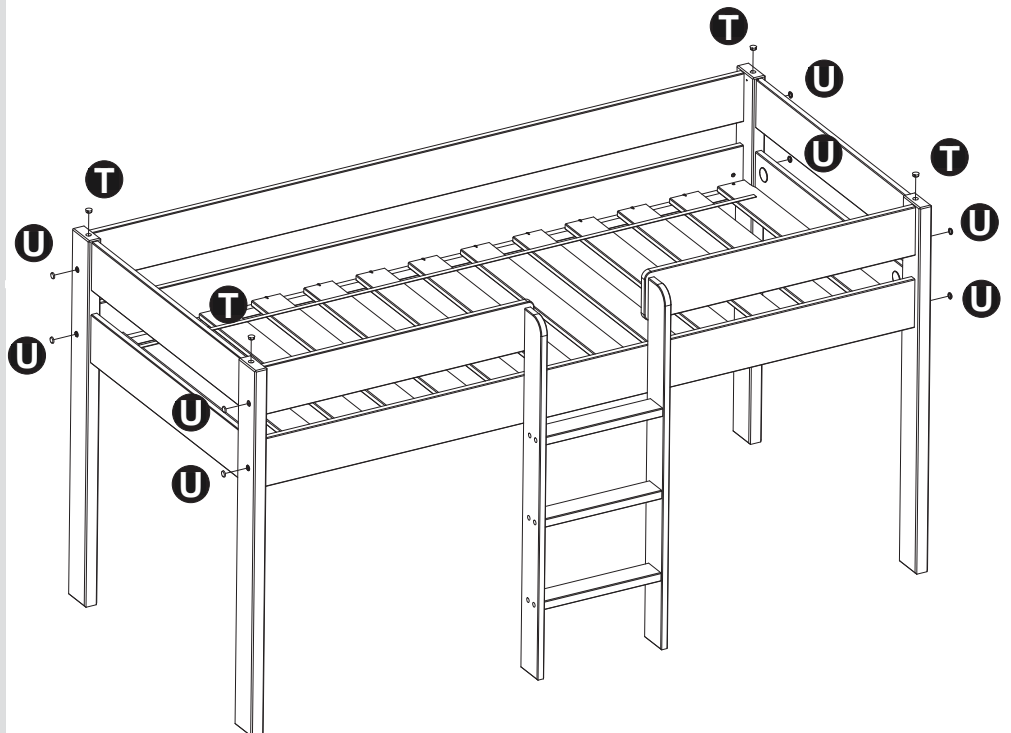
In this step use this fitting:

**T** x4

**U** x8

Cover the unused holes in legs with cover caps **T**

Cover the Bolt heads with cover caps **U**.





# Assembly Instructions

## Customer Notice

Dear Customer,

Congratulations on the recent purchase of your furniture!

### Customer Service:

For missing or spare parts requests please contact us Monday to Friday – 10am to 3pm in one of the following ways:

Phone: 0844 8008475

Calls cost 7 pence a minute plus your phone company's access charge.

Email: [Spares@stompa.com](mailto:Spares@stompa.com)

Please inform: product, colour, where did you buy it, part no, quantity and reason for request. We need your full name, address and telephone number.

Fax: Please complete the enclosed Service Form and fax to 01943 81780

By post: Please complete the enclosed Service Form and post to:

Nordika Design Ltd.

High Rigg

Panorama Drive

Ilkley, LS29 9RA

We will do our utmost to supply spare parts within 7-10 working days of receipt of request.

Our quality control team has ensured a high quality product that we are sure you will be pleased with. Any components produced from solid wood will contain knots and may have surface defects which are a feature of a natural product.

# Customer Service Form

Please return complete to

Fax: 01943 81780

Name: \_\_\_\_\_

Address: \_\_\_\_\_

\_\_\_\_\_

\_\_\_\_\_

\_\_\_\_\_

\_\_\_\_\_

Contact No: \_\_\_\_\_

Date of purchase: \_\_\_\_\_

Place of purchase: \_\_\_\_\_

Product Name: \_\_\_\_\_

See assembly instructions:

Problem: \_\_\_\_\_

\_\_\_\_\_

\_\_\_\_\_

\_\_\_\_\_

Parts Needed:	<u>Part No.</u>	<u>Quantity</u>	<u>Description</u>
---------------	-----------------	-----------------	--------------------

Please quote assembly  
instruction or number

e.g drawer base

\_\_\_\_\_

\_\_\_\_\_

\_\_\_\_\_

\_\_\_\_\_

\_\_\_\_\_

\_\_\_\_\_

\_\_\_\_\_

\_\_\_\_\_

\_\_\_\_\_

\_\_\_\_\_

\_\_\_\_\_

\_\_\_\_\_